



NE-3000L2 Wind Turbine



1. Casting aluminum alloy body, compact, safe.
2. Reinforced glass fiber blades, matched with optimized aerodynamic shape and structure, which enhance the wind energy utilization and annual output.
3. Patented permanent magnet ac generator with special stator, effectively reduce torque, well match the wind wheel and generator, and ensure the performance of whole system.
4. Tail adopts mechanical yaw technique, making it survive storm and run safely.
5. With epoxy zinc rich primer and polyurethane anti-corrosion treatment, be ultraviolet-proof, acid rain resistant, salt resistant.
6. Intelligent automatic grease injection, which ensure flexible running and durable life.





NE-3000L2

Performance

Rated power	3000w
Peak power	3300w
Start-up wind speed	2m/s
Working wind speed	2-18m/s
Survival wind speed	30m/s

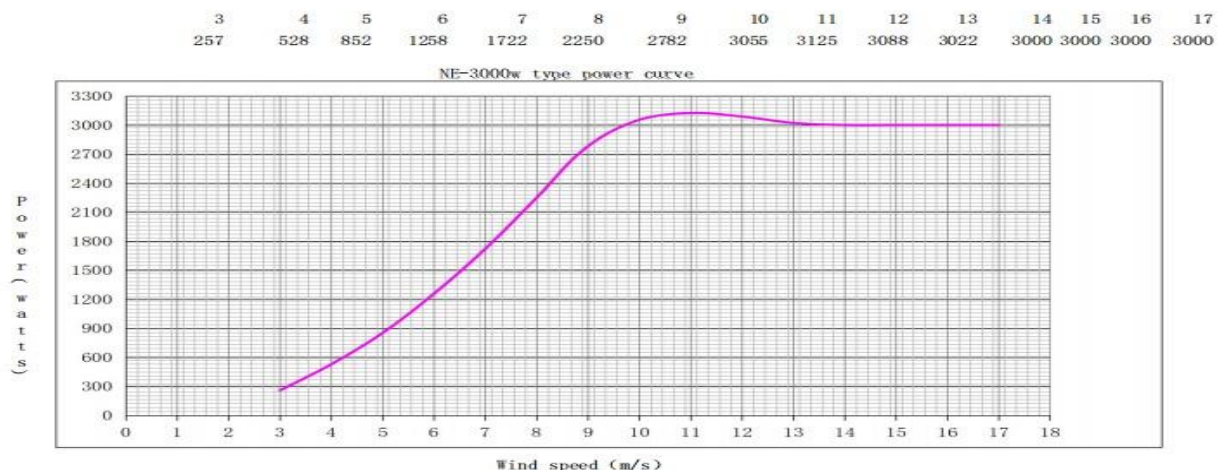
Rotor

Rotor diameter	3.7/4m
Swept area	17.34m ²
Blade	3pcs reinforced fiber glass
Blade length	180/195cm
Shell material	Casting aluminum alloy
Rated RPM	333r/m

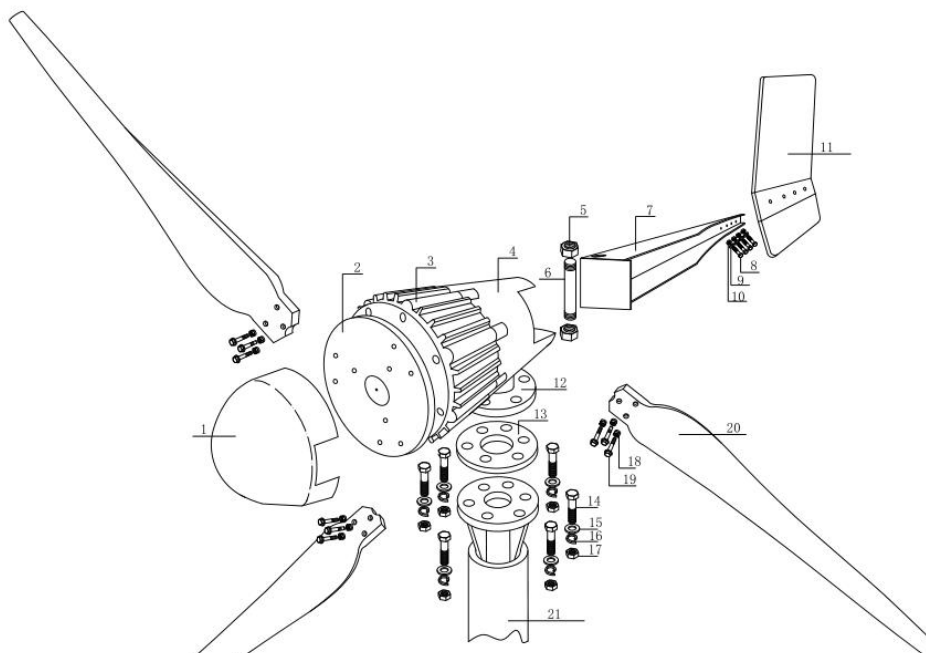
Others

Generator type	3-phase AC PMG
Speed regulation & protection	Yawing + electromagnetic brake
Rated voltage	DC48/ 96/120/240V
Suggested battery capacity	4pcs 250Ah/12VDC
Tower type	9m guy wire tower
Working temperature	-40°C to +80°C

Power curve



Wind turbine		Wind speed m/s	Monthly Output kwh
NE-3000L	3000w 48v/96/120/240v	6-7	417-640kwh



L type horizontal axis wind turbine

1. wind cap 2. Hub 3. Front body 4. Back body 5. Anti-loose nut 6. tail vane fixed pipe 7. tail vane 8. Screw bolt 9. Flat washer 10. Nuts 11. Tail plate 12. Flange base 13. Rubber washer 14. Screw 15. Flat washer 16. Spring washer 17. Nut 18. Anti-loose nut 19. Stainless Screws. 20. Turbine blades 21. Steel Pipe bracket