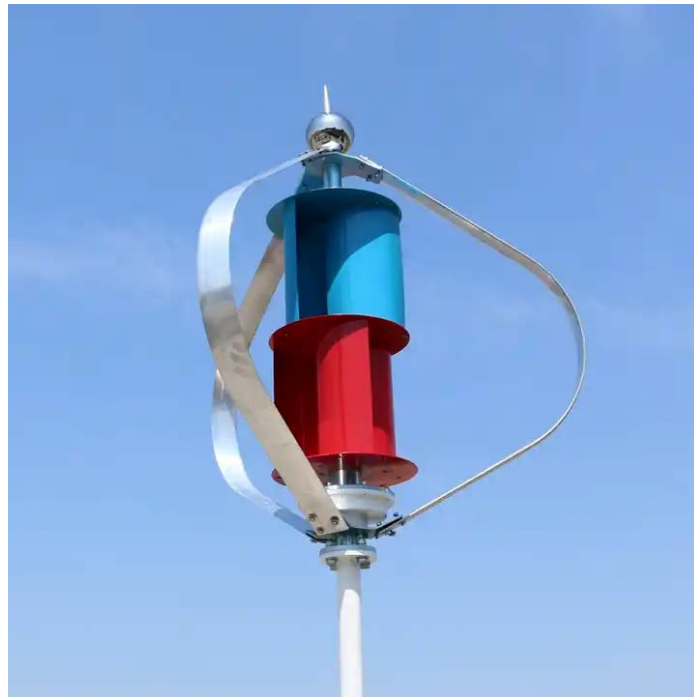




NE-2000Q4 Wind Turbine



Wind Turbine Features:

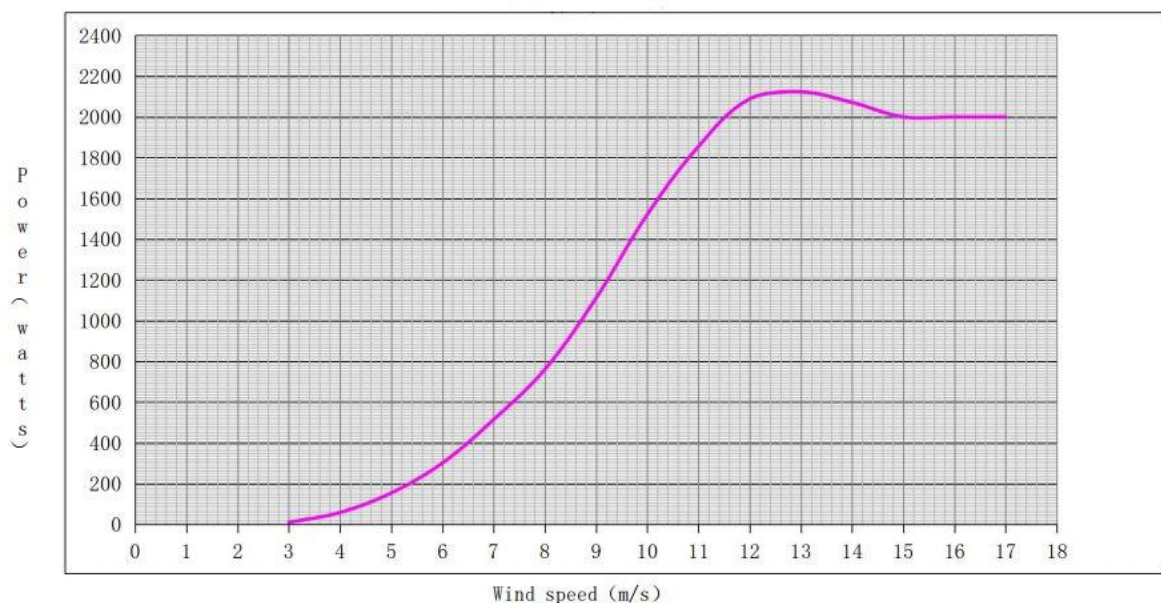
- Capture wind from any direction, no limit on terrain, not be affected by turbulence.
- Low start up wind speed, low noise and vibration.
- Magnet material NdFeB (neodymium iron boron).
- Generator with unique shockproof design, stable operation.
- Application: Houses and Schools, Remote Communication Station, Vocational Villages.

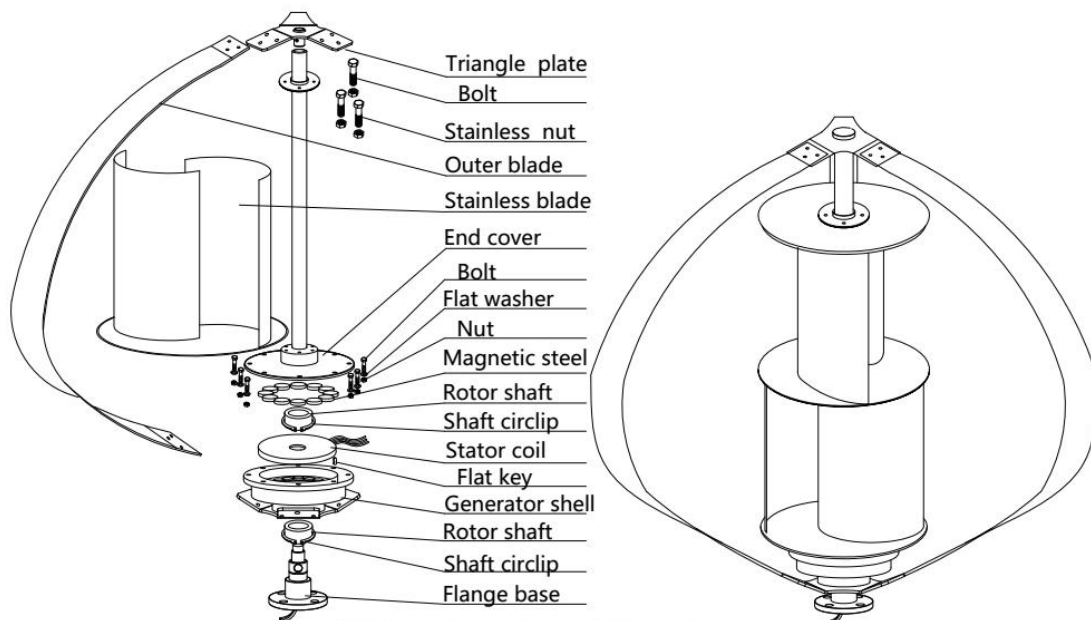




Model	NE-2000Q4
generator power	2kw
Wheel diameter	2.5m
turbine height	2.3m
Blades material	reinforced glass fiber/aluminum alloy
Blades color	white
Number of blades	5
Rated wind speed	12m/s
Start-up wind turbine	2.5m/s
Survival wind turbine	35m/s
Output voltage	48V/96v/220v
Approx net weight	230Kg
Generator type	Maglev generator
Control system	Electromagnet
Speed regulation	Automatically adjust windward direction
Lubrication way	Lubrication grease
Working temperature	From -40°C to 80°C

Power curve





Q4 Vertical Axis Wind Turbine